



MTX Keyboard

Instruction Manual EN



1 General information

This guide is meant to help you assemble your Sim Rig as smoothly as possible. If you still have questions about the assembly process, please contact info@monstertech.de or support@monstertechusa.com.

1.1 Before you start

Before you start the assembly, we are going to look at some common assembly steps and often used parts, as well as required tools.

1.1.1 Required Tools

For our assembly, we need following tools*:

- Hex key set with ball head with extension
- Rubber or plastic mallet
- Flat head screwdriver
- Tape measure w/ millimeters

*Tools are not included with the Sim Rig



1.1.2 Inserting T-Nut into Profile

There are two ways to insert the M8 T-Nuts into the respective profile groove; refer to Figure 1 and 2 respectively.

Figure 1: Slide in from side

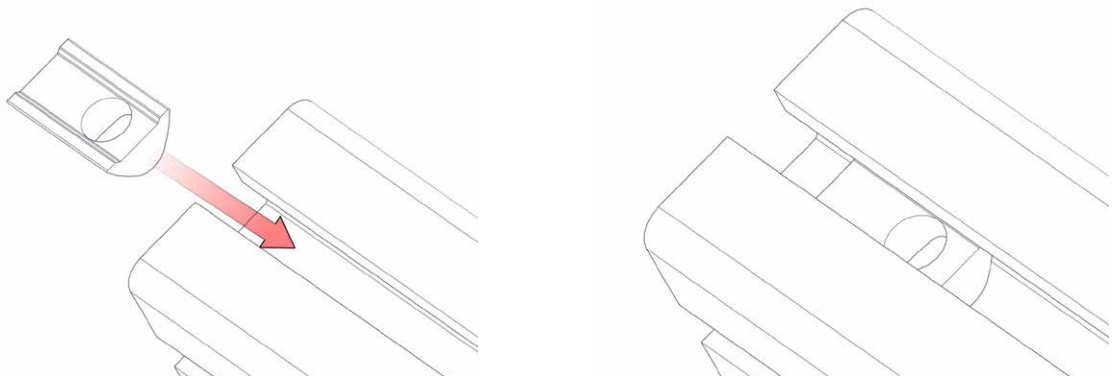
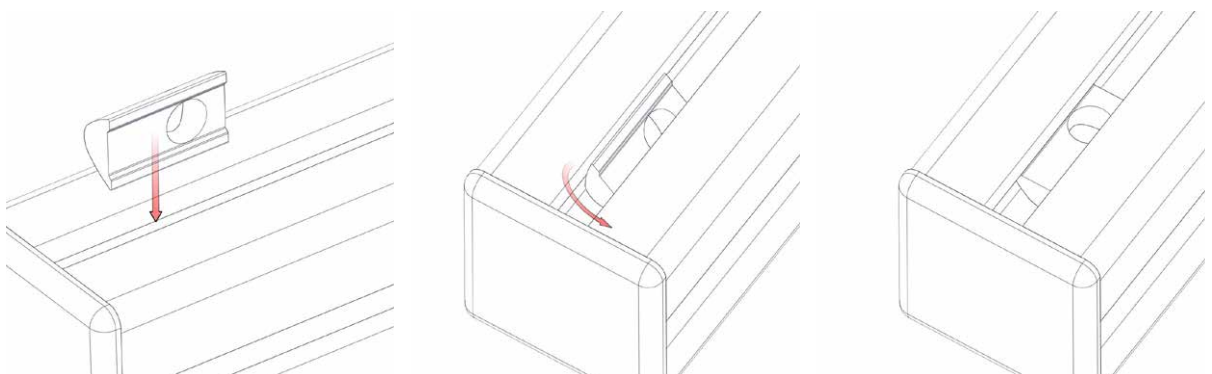


Figure 2: Rotate in from top





1.1.3 Universal Fastener Assembly

The universal fastener assembly can be prepared the following way, so long as the T-Nut can be slid in from the side. One Universal Fastener Assembly is made up from one (1) M8x30 Hex Screw, one (1) T-Nut, and one (1) Universal Fastener.

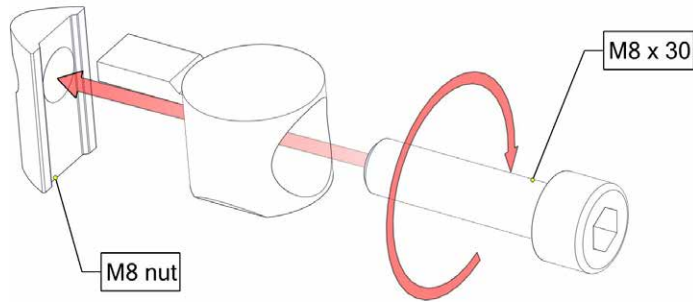


Figure 3: Universal fastener assembly

If inserting the universal fastener assembly from the side is not possible, it is necessary to rotate the T-Nut into the profile groove first, and then screw the M8x30 bolt (along with the universal fastener) into the T-Nut.



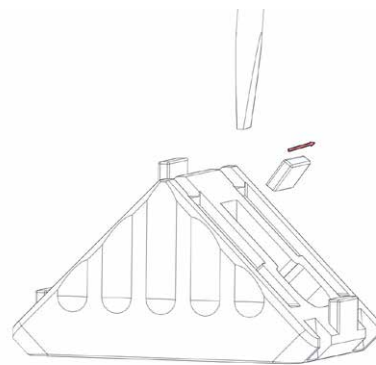
1.1.4 Angle Bracket Stud Removal

Sometimes it might be necessary to break off the studs from angle brackets (if those are part of the product). This is best achieved by:

1. Inserting a flat-head screwdriver between the stud and the bracket, and then



2. Rotate the screwdriver for the stud to come off





1.1.5 Angle Bracket Assembly

For some assemblies the use of angle brackets is required. These are prepared by using two (2) M8x18 hex screws, two (2) washers, and two T-Nuts.

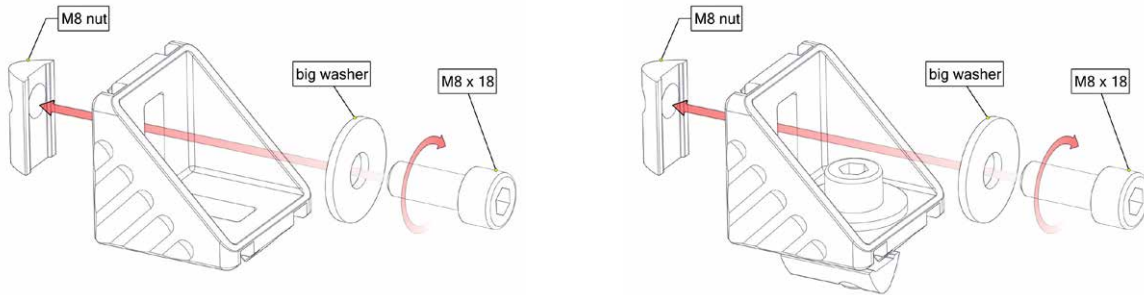


Figure 5: Angle bracket assembly

1.1.6 Adjustment of Profile Feet

The profile feet are installed on the MTX Internal TV or MTX Stand-Alone TV.

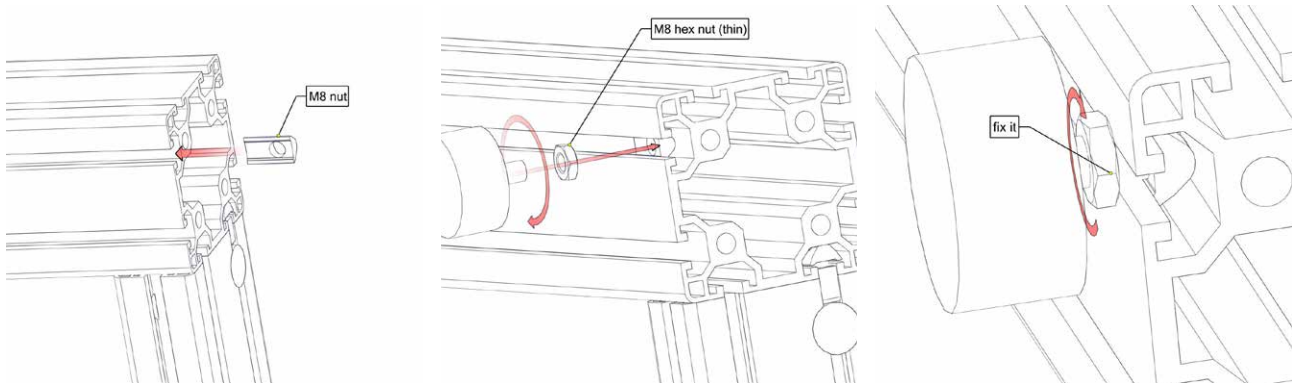


Figure 6: Profile feet



2 Overview

2.1 Completed MTX Keyboard

Keyboard - Overview

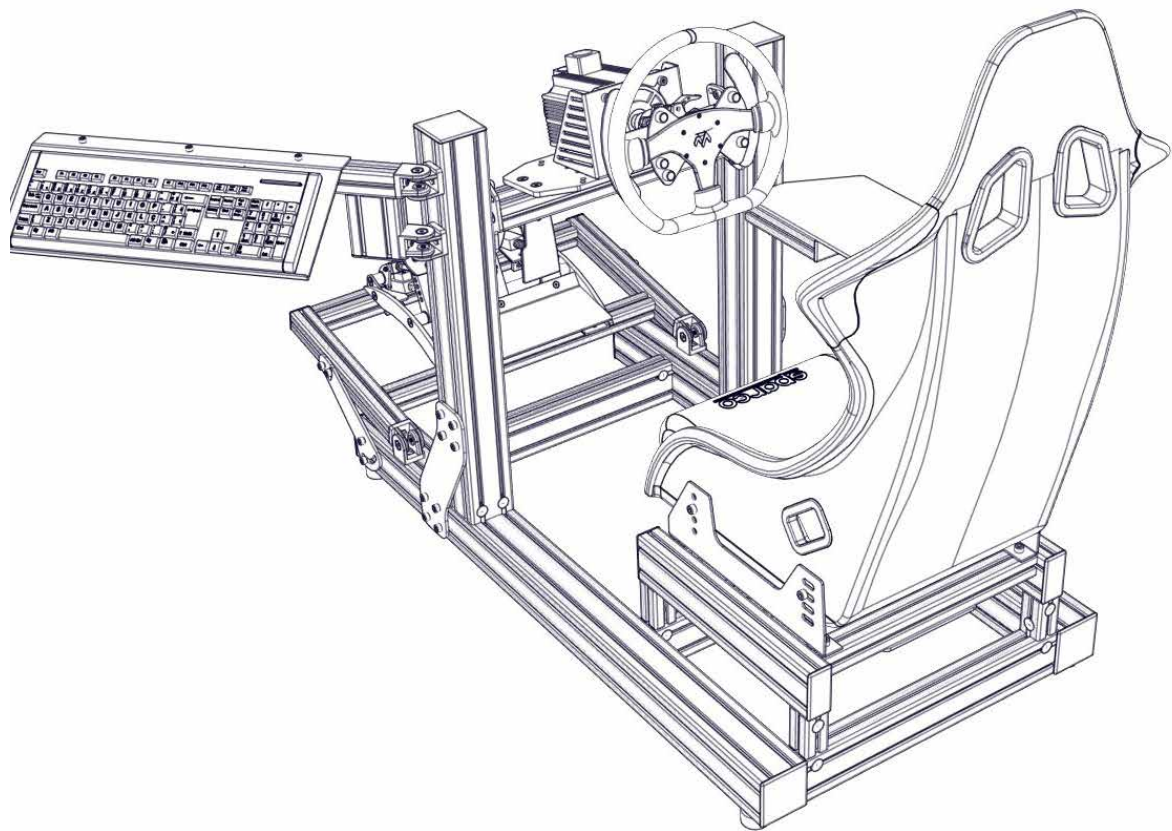


Figure 8:

Use the above image as reference for the following assembly instructions.



3.1

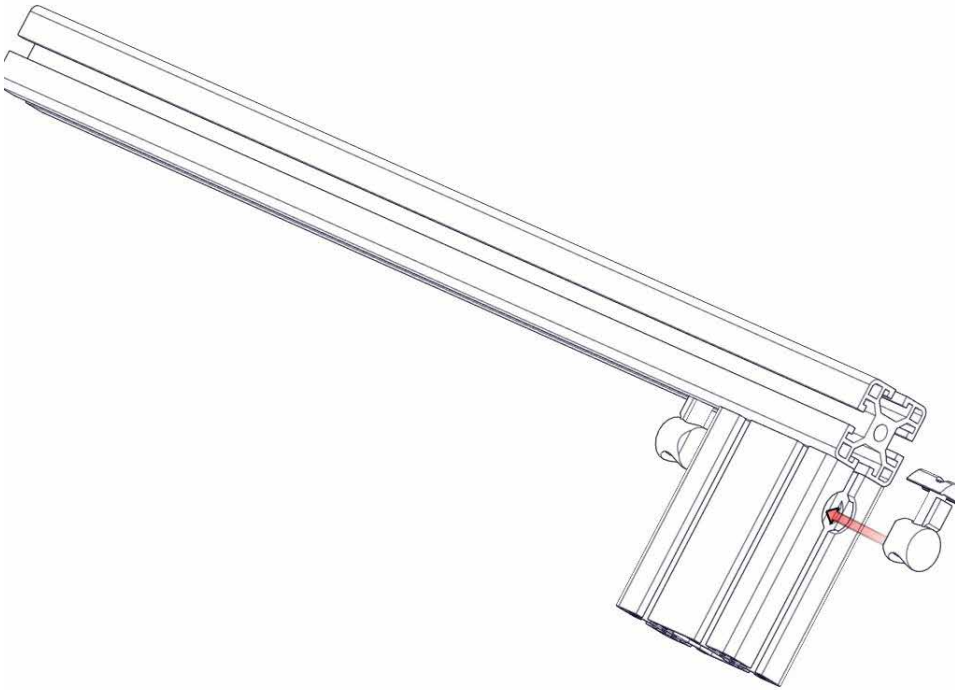


Figure 9: Keyboard assembly - step 1

3.2

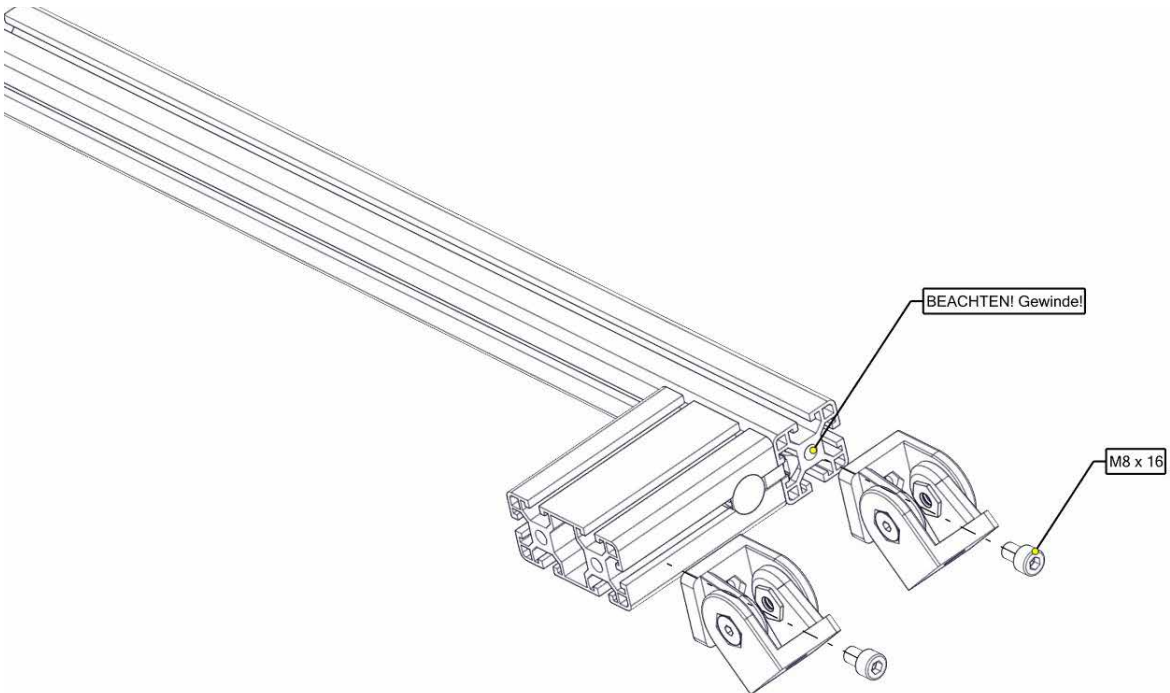


Figure 10: Keyboard assembly - step 2



3.3

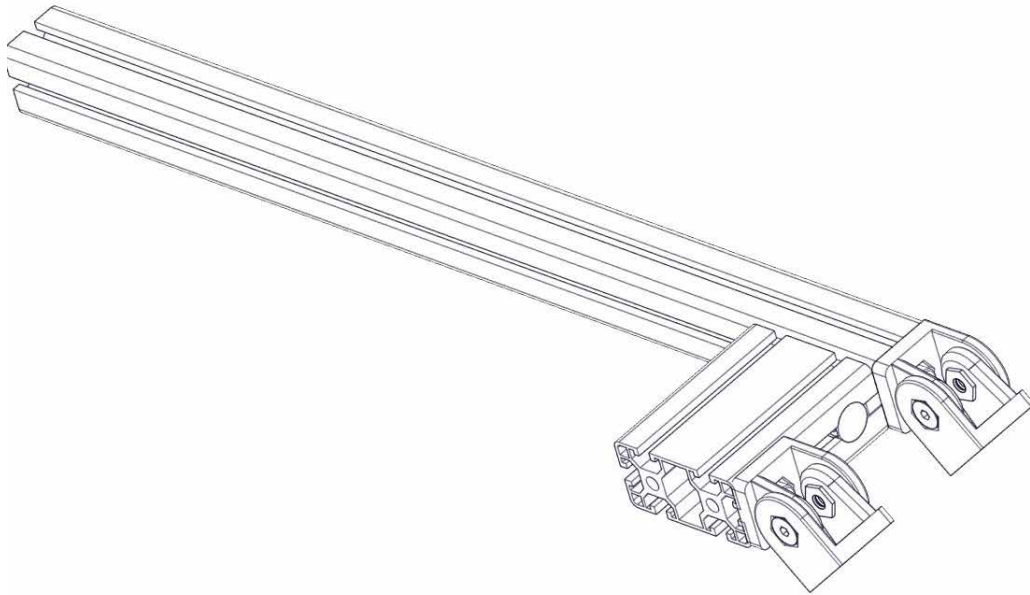


Figure 11: Keyboard assembly - step 3

3.4

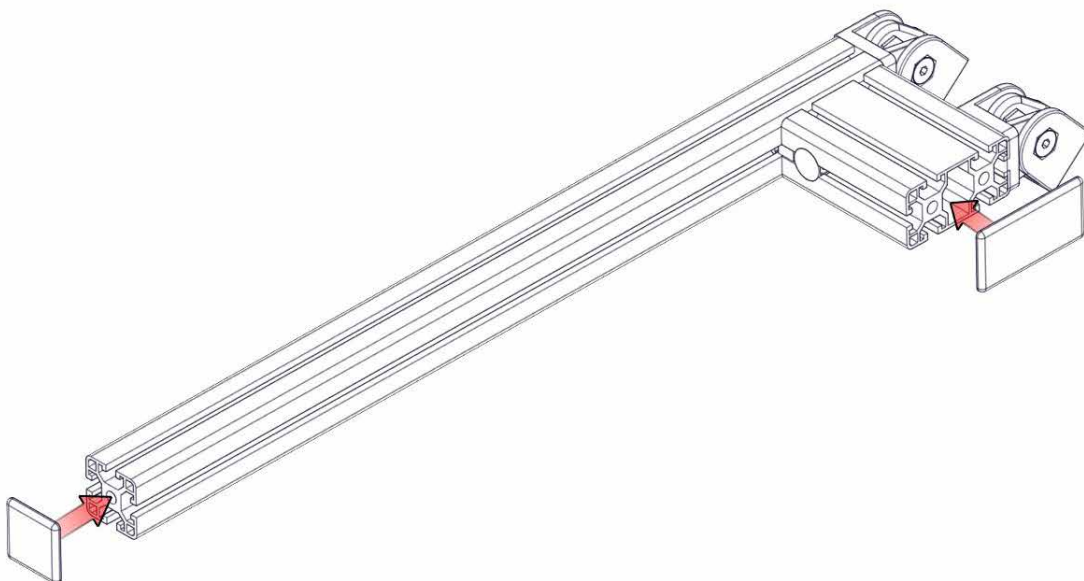


Figure 12: Keyboard assembly - step 4



3.5

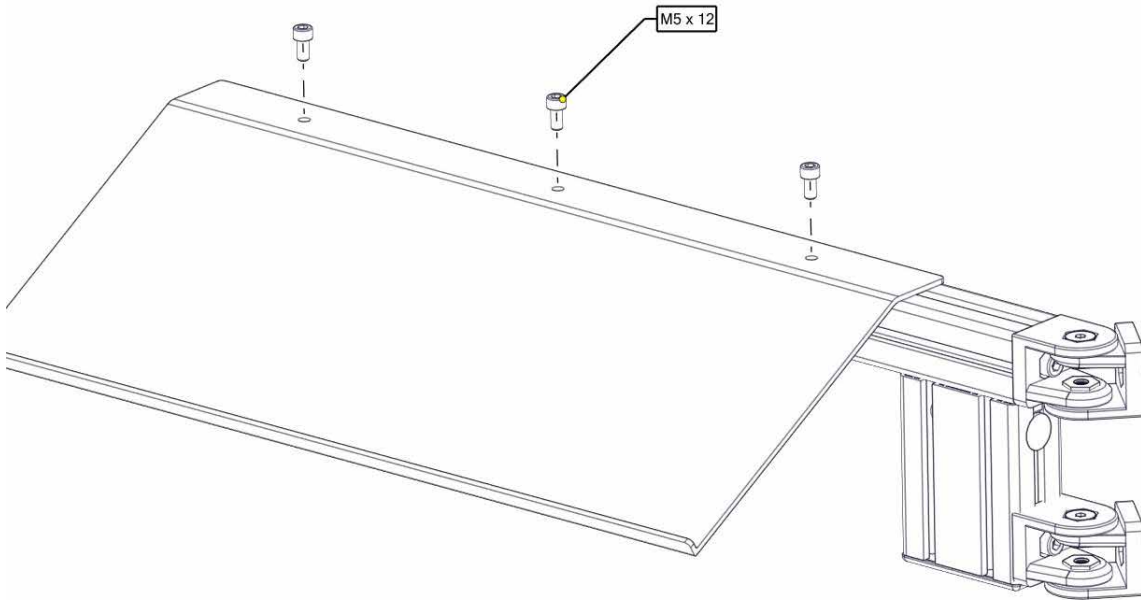


Figure 13: Keyboard assembly - step 5

3.6



Figure 14: Keyboard assembly - step 6



3.7

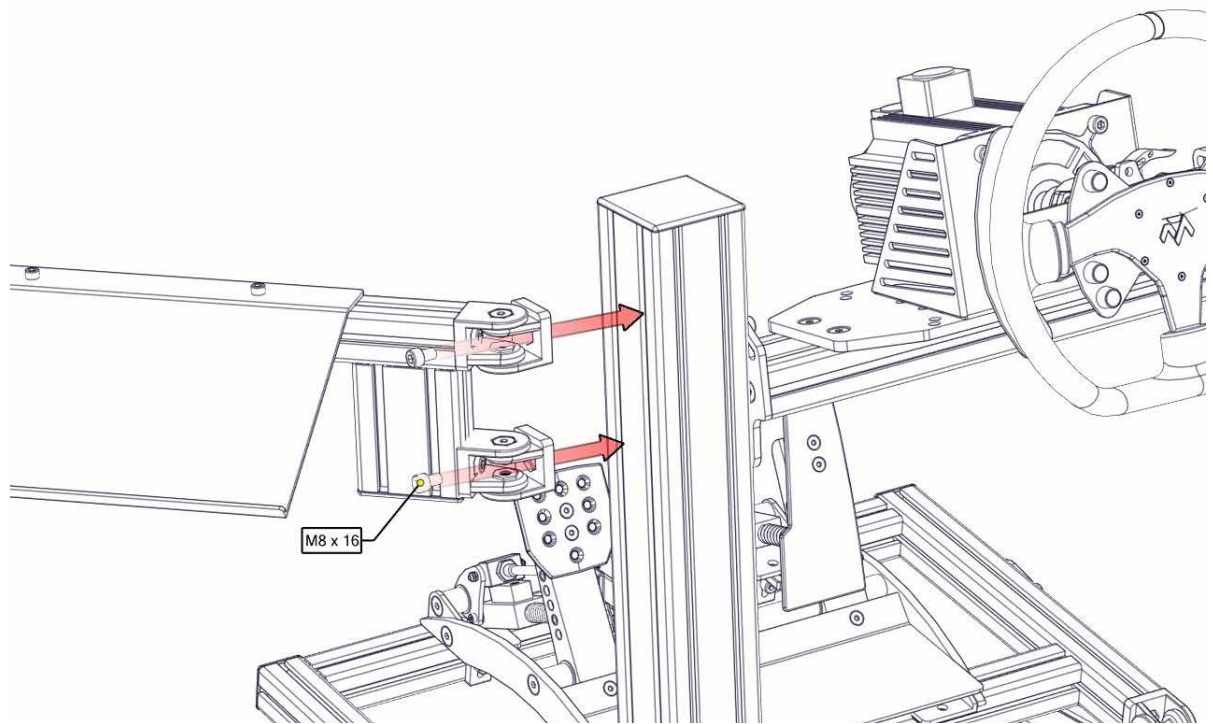
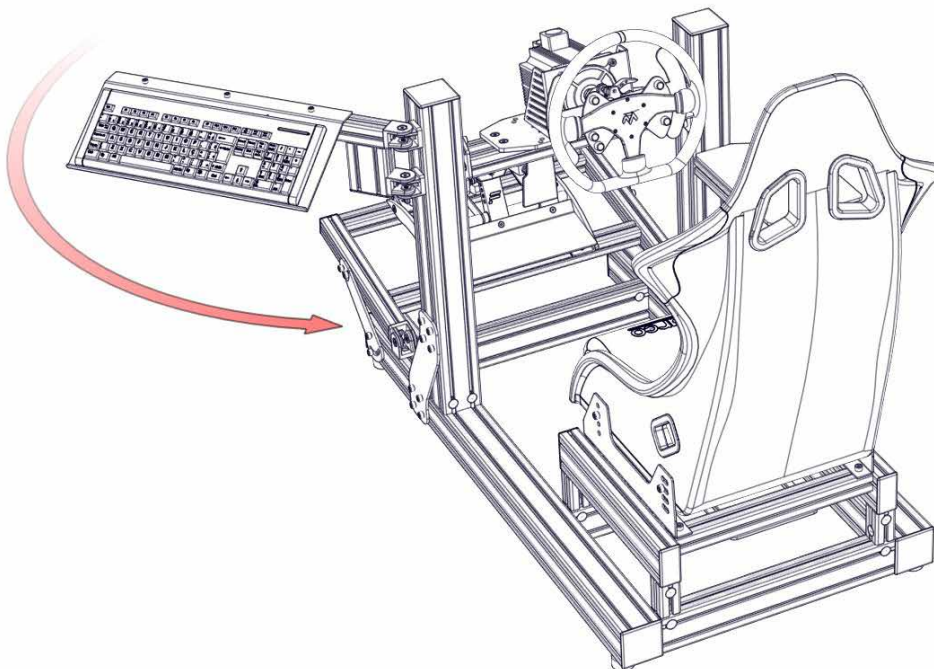


Figure 15: Keyboard assembly - step 7





WARNHINWEISE

**GEFAHR: Nicht für Kinder unter 3 Jahren,
Kleinteile - Verschluckungsgefahr!
Nur für Kinder ab 12 Jahren und Erwachsene**

Alle MONSTERTECH Produkte sind handgefertigt und qualitätsgeprüft.

Das Rennsitzgestell ist zur Verwendung in Kombination mit einem Autositz und nur zur Verwendung im Innenbereich ausgelegt.

Wir übernehmen keine Haftung für zweckentfremdete Benutzung.

Bei Fragen zur Sicherheit oder Aufbau des Rennsitzgestells, wenden Sie sich an info@monstertech.de oder besuchen unsere Website unter www.monstertech.de.



WARNING NOTICES

NOTE: Contains small parts not suitable for children under 3 years.

Only suitable for children over 12 years and adults.

All MONSTERTECH products are handmade and quality checked.

The racing frame is only designed for inside usage in combination with a car seat.

We exclude liability if the product is used for purposes other than intended.

If you have safety concerns or questions regarding assembly, contact us under info@monstertech.de or visit www.monstertech.de.